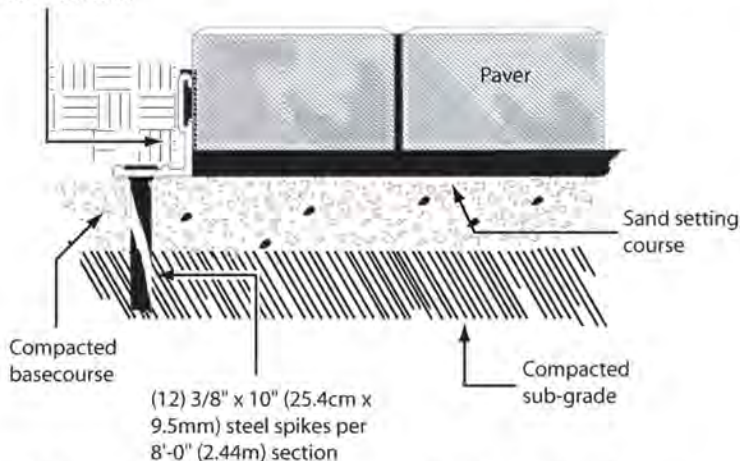


Curv-Rite Stable Edge  
 Aluminum Paver Restraint  
 1-800-366-2878

## 1.) Outside Paver Detail



### Check Desired Size:

- 1/8" x 1-5/8" (3.2mm x 41mm)

### Check Desired Finish:

- Mill Finish - natural aluminum.
- Deco-Black - electrostatically applied baked on paint.

### Technical Notes:

1. Refer to manufacturer's installation instructions with this product from, Curv-Rite. Wayland, MI 1-800-366-2878.
2. Connection between strips to utilize manufacturer's unique interlocking splicer.
3. Do not scale drawing.
4. Curv-Rite Stable Edge as manufactured by Curv-Rite, Inc. Wayland, MI 1-800-366-2878, (269) 792- 0044 (269) 792 - 8126.

### Technical Specifications:

Brick paver edging to be Stable Edge 1/8" x 1- 5/8" "L" shaped aluminum paver restraint in an 8' section as manufactured by Curv-Rite, Inc.; Wayland, MI 1-800-366-2878. Sections to be aluminum alloy 6063 with a T-6 hardness. A 3" aluminum splicer inserted 1 - 1/2" into each adjoining section shall be used to create an uninterrupted edging system that has a continuous support system on both sides of the vertical wall. Edging base shall have holes on 4" centers along length of section for receiving 3/8" x 10" spiral steel spikes. (specify quantity of spikes per section-up to 25 maximum) spikes shall be used per section.

### Edge Detail-Sand Set Paver Installation

Curv-Rite<sup>®</sup> Stable Edge<sup>®</sup> Aluminum Paver Restraint

3603 North Main Street Wayland, MI  
 800-366-2878 www.curv-rite.com